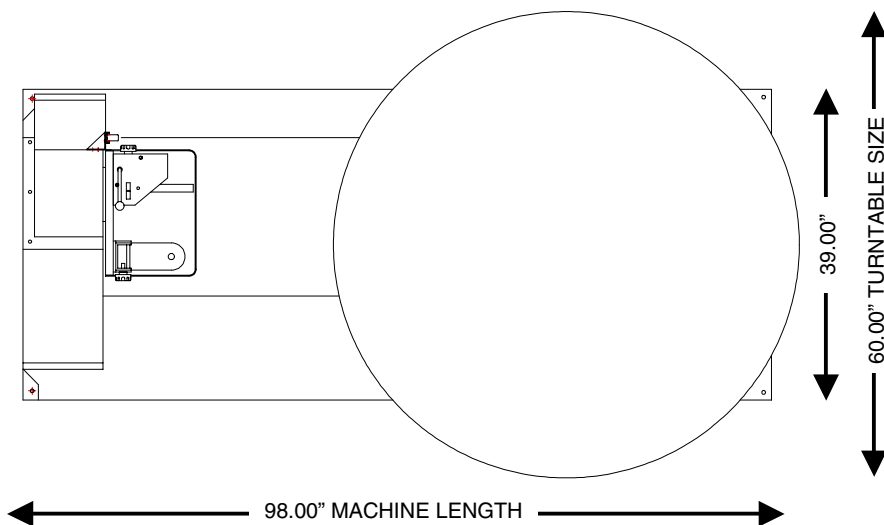


Predator[®] SS

Simplified Stretch



SYSTEM SPECIFICATIONS*

Film Stretch..... Infinite / Manual Adjustment
 Turntable Speed.....Adjustable to 10 RPM
 Wrap Height..... to 80 Inches
 Motors..... Baldor 90 VDC
 Internal Controls Micro Controller Board
 Load Weight Capacity 4,000 Pounds
 Electrical..... 115 / 220 Volts, 15 Amps
 Wrap Modes Two
 (Spiral Up/Down & Spiral Up Only)

Machine Weight 1,050 Pounds
Optional Ramps Available *Subject to change without notice

