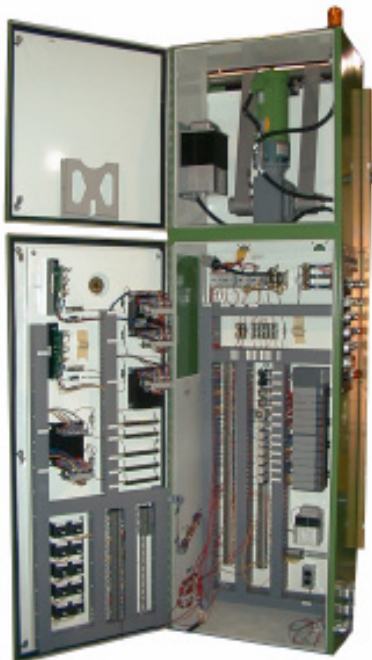
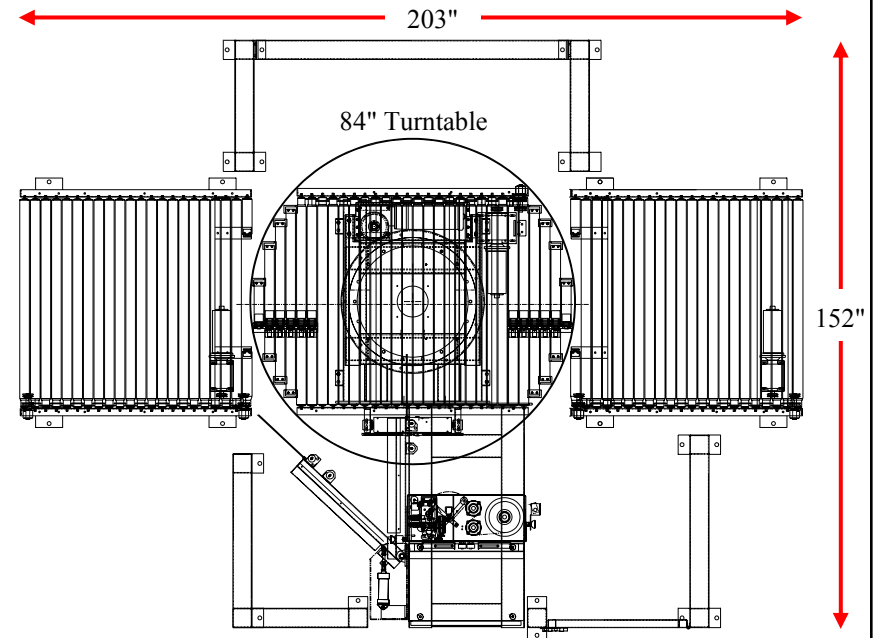


Dual Power Hydro-Stretch® provides infinite control of film stretch on the load and at the pallet/load interface.

The touch screen control panel offers state-of-the-art components for reliable operation, and diagnostic indicators for troubleshooting.



Allen-Bradley components ensure reliability and durability. The Synergy 5 offers complete control over every aspect of your stretch wrapping needs!

### Production Capacity

- 50–60 loads per hour
- 48\" wide x 50\" long maximum
- 38\" wide x 38\" long minimum
- 20\"–72\" standard wrap height

### Conveyors

- 52\" effective width
- 60\" length
- Powered turntable transition rollers
- 3¾\" roller centers
- 2½\" diameter rollers
- Every roller driven

### Synergy 5 Module

- Dual Power Hydro-Stretch®
- Film Stretch: Infinitely adjustable from 0% to film's maximum
- Independently adjustable film force
- Film clamps
- Film wipe down arm and Teflon® coated hot cut bar
- 20\" film capacity x 10\" diameter
- 37\" diameter ring gear table drive
- 84\" diameter turntable
- Individual top and bottom wrap counters

### Electrical & Air

- Allen-Bradley PLC
- Air: 80 psi, 3 cfm
- Electrical: 240/480 volt, 3 phase, 15 amp
- “Off-the-shelf” components

**HIGHLIGHT**  
INDUSTRIES, INC.

2694 Prairie St SW • Grand Rapids, MI 49519  
616.531.2464 • 800.531.2465 • fx 616.531.0506  
www.highlightindustries.com